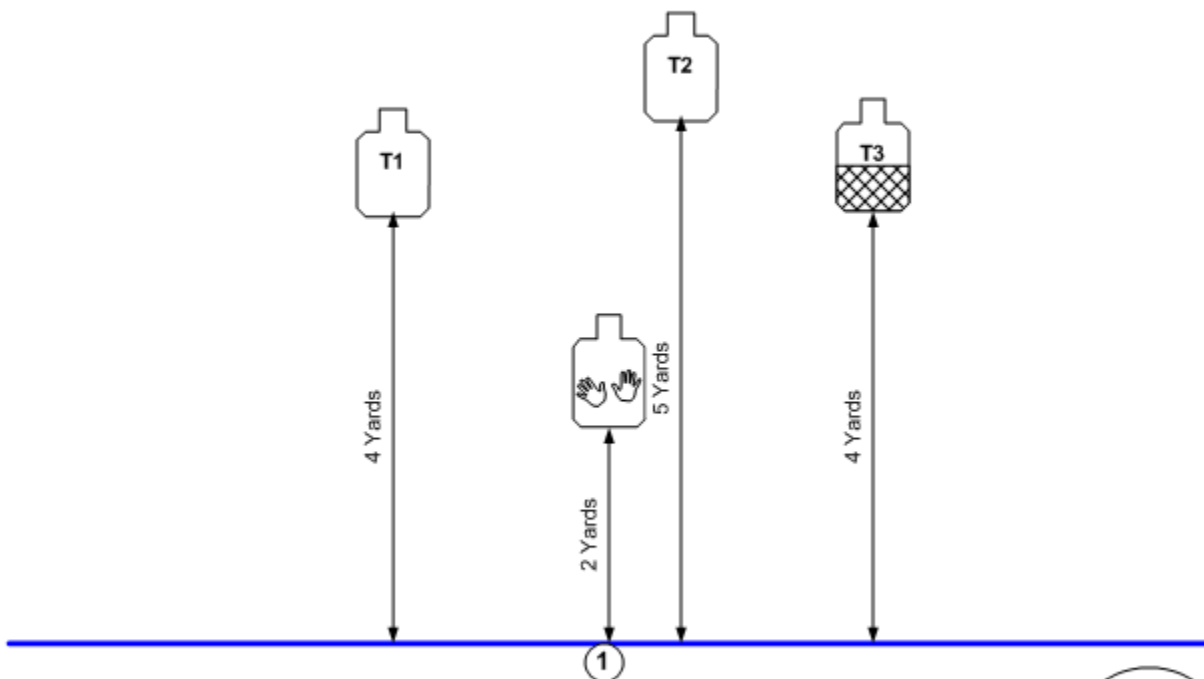


Scenario # 652
Mozambique from the Knees

Concealment - Vickers Count

Shooter begins on knees with hands in surrender position. At the signal draw and engage Targets T1, T2 & T3 with two (2) shots to the body and one (1) shot to the head (Mozambique).



Original Course Design by
Derrick Birdsall

9 Scored
Shots



Tactical Shooters Club
www.tacticalshooters.com